

Features

Electrical Properties

Parameter:	Description
Frequency Band:	1575 ± 10 MHz
Nominal Impedance:	50 Ω
Polarization:	Linear
V.S.W.R:	< 2.0
Gain:	2.2 dBi @1575 MHz



Mechanical Properties

Parameter:	Description
Antenna Type:	Internal antenna
Connector Type:	SMD
Antenna Dimensions:	1.6 * 3.2 mm ± 0.1
Operating Temperature Range:	-40°C~+85°C
Storage Temperature Range:	-35°C~+80°C

Typical applications

- M2M
- GPS
- GLONASS

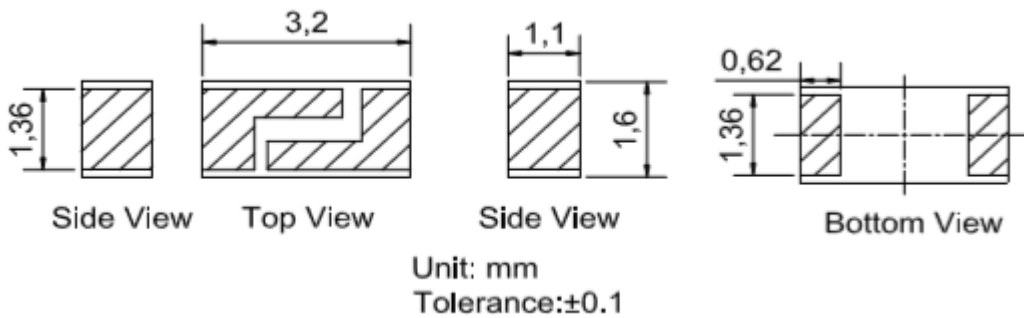
Description

The ERF4081 antenna is an internal GPS SMD antenna. The antenna requires a ground plane of 4 x 4.25 mm. also it is recommended to use a matching filter to tune the performance of the antenna.

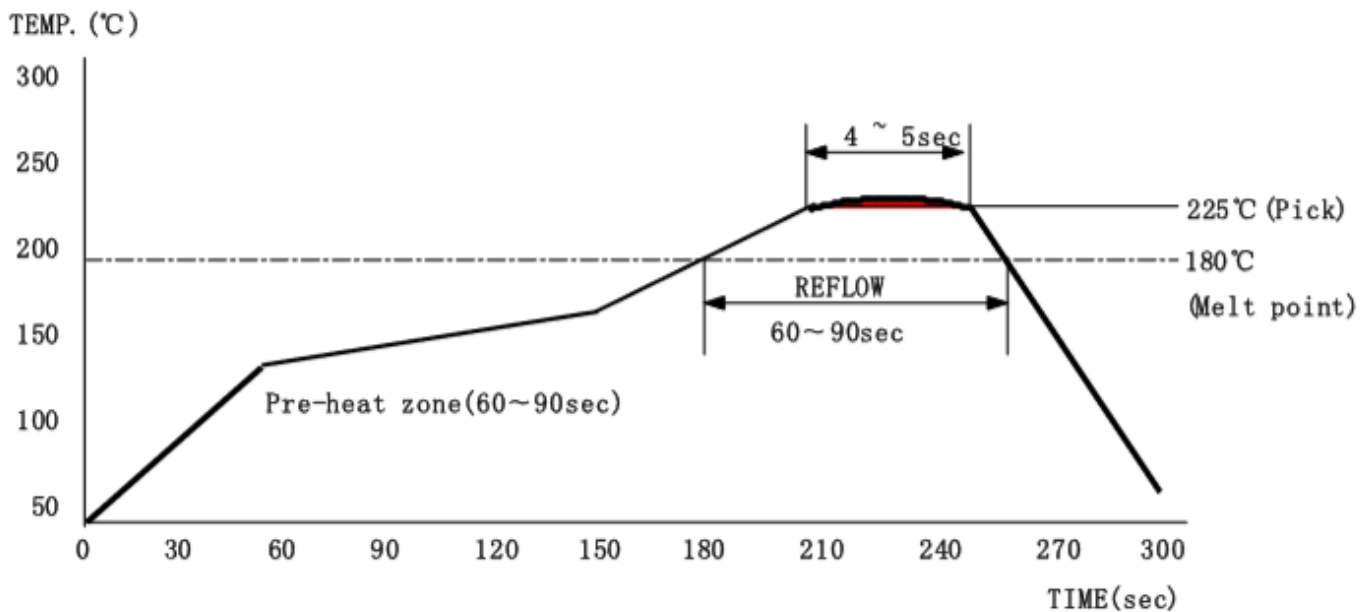
The antenna can be used for applications such as, M2M, GPS and GLONASS.

Dimensions

*unit: mm



Reflow Soldering condition



Ordering information

Ordering can be done via www.summit-electronics.com or via info@summit-electronics.com. Please contact us for more information. Customisation of the product is available on request.

Technical support

For all product questions please contact us via info@summit-electronics.com